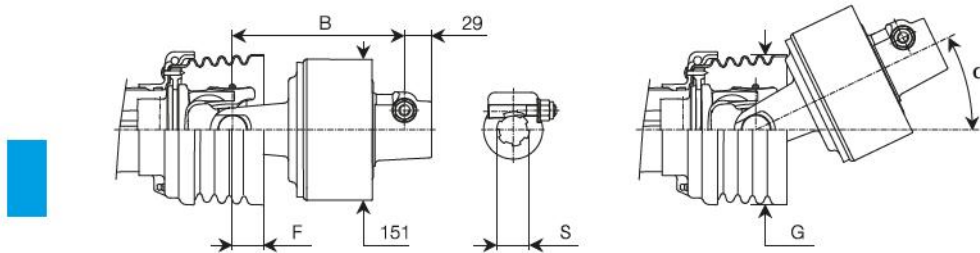


Automatic torque limiter LR

LR24



Setting	Nm	B (mm)			F mm	G mm	α °	
		S = 1 3/8" Z6	1 3/8" Z21	1 3/4" Z6				
S6	2500	176	176	176	176	32	160	24°
H7	2600 2900	184	184	184	184	29	160	28°
S8	*2500 3000	184	184	184	184	42	160	19°
H8	*2500 3000	184	184	184	184	42	160	19°
S9	*3000	192	192	192	192	49	180	18°


* Recommended settings for a 1000 min⁻¹ velocity

Driveline Codes LR24 for use at 540 min⁻¹

Setting	Nm	B (mm)			
		S = 1 3/8" Z6	1 3/8" Z21	1 3/4" Z6	1 3/4" Z20
2500		26A	30A	34A	38A
2600		27A	31A	35A	39A
2900		28A	32A	36A	40A
3000		29A	33A	37A	41A

Driveline Codes LR24 for use at 1000 min⁻¹

Setting	Nm	B (mm)			
		S = 1 3/8" Z6	1 3/8" Z21	1 3/4" Z6	1 3/4" Z20
2500		50C	54C	58C	62C
2600		51C	55C	59C	63C
2900		52C	56C	60C	64C
3000		53C	57C	61C	65C

 For primary drivelines, always install any torque limiter or overrunning clutch on the implement side. All rotating parts must be guarded.

Automatic torque limiter LR

LR24



LR24 Codes as Spare Parts for use at 540 min⁻¹

	Setting		S = 1 3/8" Z6	1 3/8" Z21	1 3/4" Z6	1 3/4" Z20
		Nm				
S6	2500		6WG265003R	6WG265037R	6WG265004R	6WG265038R
H7	2600		6WH266003R	6WH266037R	6WH266004R	6WH266038R
	2900		6WH269003R	6WH269037R	6WH269004R	6WH269038R
S8	2500		6WL265003R	6WL265037R	6WL265004R	6WL265038R
	3000		6WL270003R	6WL270037R	6WL270004R	6WL270038R
H8	2500		6WL265003R	6WL265037R	6WL265004R	6WL265038R
	3000		6WL270003R	6WL270037R	6WL270004R	6WL270038R
S9	3000		6WM270003R	6WM270037R	6WM270004R	6WM270038R

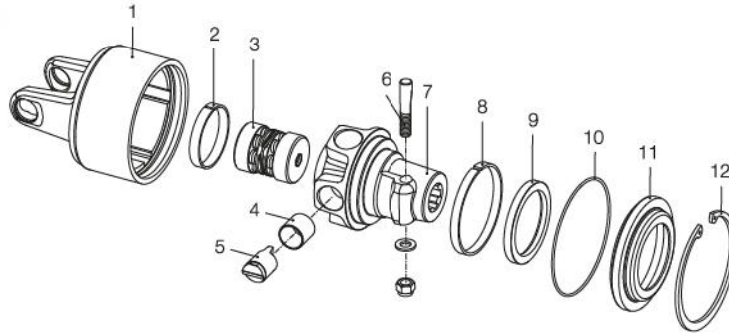
LR24 Codes as Spare Parts for use at 1000 min⁻¹

	Setting		S = 1 3/8" Z6	1 3/8" Z21	1 3/4" Z6	1 3/4" Z20
		Nm				
S6	2500		6WGE65003R	6WGE65037R	6WGE65004R	6WGE65038R
H7	2600		6WHE66003R	6WHE66037R	6WHE66004R	6WHE66038R
	2900		6WHE69003R	6WHE69037R	6WHE69004R	6WHE69038R
S8	*2500		6WLE65003R	6WLE65037R	6WLE65004R	6WLE65038R
	3000		6WLE70003R	6WLE70037R	6WLE70004R	6WLE70038R
H8	*2500		6WLE65003R	6WLE65037R	6WLE65004R	6WLE65038R
	3000		6WLE70003R	6WLE70037R	6WLE70004R	6WLE70038R
S9	*3000		6WME70003R	6WME70037R	6WME70004R	6WME70038R

* Recommended settings for a 1000 min⁻¹ velocity

Automatic torque limiter LR

LR24



Ref	Size	Spare part code	Description	Technical data
1	S6	4310G2152R	LR24 Outer housing for use at 540 min ⁻¹	
	H7	431062152R		
	S8 - H8	4310L2152R		
	S9	431082152R		
	S6	4310GE151R	LR24 Outer housing for use at 1000 min ⁻¹	
	H7	4310HE151R		
	S8 - H8	4310LE151R		
	S9	4310ME151R		
2		240000205R02	Bushing	
3		421166502R	Spring kit LR24 for use at 540 min ⁻¹	2500 Nm
		421166601R		2600 Nm
		421166902R		2900 Nm
		421167001R		3000 Nm
		421166505R	Spring kit LR24 for use at 1000 min ⁻¹	2500 Nm
		421166605R		2600 Nm
		421166905R		2900 Nm
		421167005R		3000 Nm
4		258000100R05	Sleeve	
5		250000108R05	Cam LR24 for use at 540 min ⁻¹	
		250000101R05	Cam LR24 for use at 1000 min ⁻¹	
6		408000047R02	Taper pin	1 3/8" Z6 - Z21
		408000052R02		1 3/4" Z6 - Z20
7		515160301R	Hub with taper pin and bushings for LR24 for use at 540 min ⁻¹	1 3/8" Z6
		515163701R		1 3/8" Z21
		515160401R		1 3/4" Z6
		515163801R		1 3/4" Z20
		515160305R	Hub with taper pin and bushings for LR24 for use at 1000 min ⁻¹	1 3/8" Z6
		515163705R		1 3/8" Z21
		515160405R		1 3/4" Z6
		515163805R		1 3/4" Z20
8		240000201R02	Bushing	
9		355006080R02	Sealing ring	80 x 100 x 10 mm
10		358000006R02	O-ring	139 x 2.6 mm
11		240000202R02	Locking plate	
12		338000138R20	Snap ring	138 x 4 DIN 472/1